

-20°C  
+70°C

# STX140

Automated  
Incubator

- Integrated Plate Handling
- Stand-Alone or Bench-Top
- Heated or Cooled Versions

Service Port



**StoreX**  
Series

# STX140

## Stable and Precise Climate Conditions

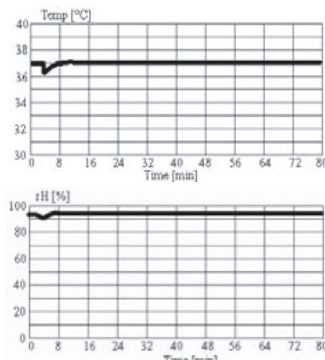
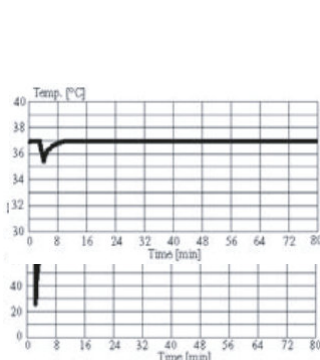
The STX140 is the world's smallest carousel based automated incubator. The STX140 slim 400 mm width minimises room required along a robotic line. Yet, keeping size constraints in mind, these units can be stacked to increase production needs.

The STX140 features LiCONiC's new Flush Gate and LiCONiC's new speed optimised handling. The Flush Gate simplifies integration by omitting any obstacle in the Gate area.

### Access

Through full-sized user door

Through the small robotic gate



### Climate Options

Type	Temperature	Humidity	Description	Order Nr. Stand Alone	Order Nr. Bench Top
STX140-IC	33..50°C (70°C)	max. 95%	Incubator	9131 00 00	9131 05 03
STX140-HC 1)	04..25°C	max. 90%	Humid Cooler	9131 05 00	9131 05 04
STX140-DC2 1)3)	04..25°C	04..50%	Dry Storage	9131 05 25	9131 05 26
STX140-HR 1)	04..50°C (70°C)	90..95%	Humid Wide Range	9131 05 01	9131 05 05
STX140-DR2 1) 3)	04..50°C	02..50%	Dry Wide Range	9131 05 07	9131 05 08
STX140-AR 1) 2)	04..50°C	10..95%	Humidity Controlled	9131 05 12	9131 05 15
STX140-DF 1)	-20..0°C 4)	02..45%	Deep Freezer	9131 05 14	9131 05 19
STX140-NC	-	-	No Climate	9131 05 28	9131 05 29

- 1) Humidity depends on temperature setting
- 2) Humidity Adjustable
- 3) Adjustable dehumidification
- 4) up to +20°C on request

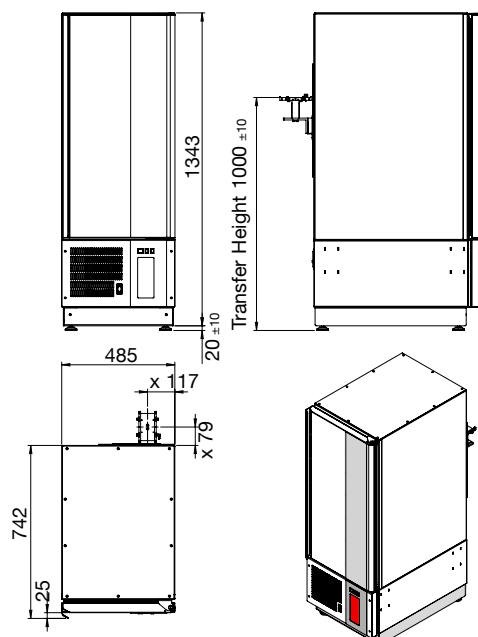
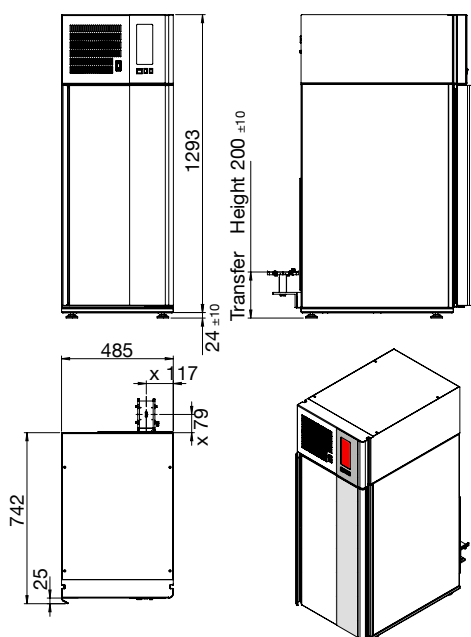
### Options

	Order Nr.	Order Nr.
High temperature 70°C capability	9122 06 02	Fast CO2 Gassing Option
Bar Code Reader Option	9118 11 03	Fast N2 Gassing Option
Plate Presence Sensor	9121 00 62	Fast O2 Gassing Option
Disposal Tips update kit up to 100mm height	9118 12 23	Additional CO2 Gassing Option
Fast access for time critical applications	9111 10 00	Additional N2 Gassing Option
N-Way Decontamination	9122 05 28	Additional O2
Liconel self decontaminating incubator chamber	9131 05 11	
Linear Shaker, Amplitude 1-100mm, 12-300 rpm	9131 00 18	
UCI Universal Communication Interface	9118 11 17	
Steam Injection	9118 11 16	
Side Gate (left side wall, seen from front)	9131 05 20	
Mirrored Gate Location, on back wall (MR)	9131 05 30	

### Dimensions

Bench-Top (BT)

Stand-Alone (SA)



### Capacity

Plate Type	Plate Height	Plate capacity of unit
NTP	5 mm	290
	11 mm	190
	12 mm	175
	17 mm	140
	22 mm	115
	23 mm	110
	24 mm	105
	27 mm	95
DWP	44 mm	65
	53 mm	50
DiTi200	66 mm	45
DiTi1000	104 mm	25

### Integration:

The STX140 instruments are available for integration with the instrument placed on the table surface (BenchTop BT) or for integration with the instrument standing on the floor (StandAlone SA). The combination of a StandAlone configuration with a Bench-Top allow these units to be stacked.

Information within this document is subject to be changed without prior notice. For details please contact our applications. info@liconic.com



www.Liconic.com  
 Europe & International: Liconic AG, Liechtenstein  
 UK & Nordic: Liconic UK Ltd, Manchester  
 US & Asia: Liconic Inc, Woburn MA  
 © Liconic AG, 03.2022