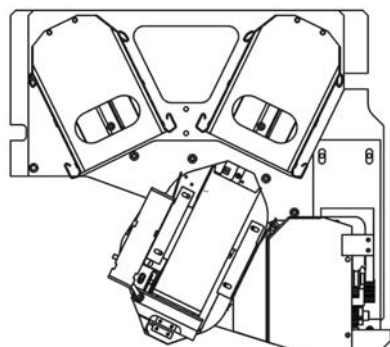


LPR44 LPR Plate Hotel

- Under-the Deck Integration
- Ideal for Protein Crystallization Work
- Ideal for Multiple Cassette Configuration

LPR44

The LPR44 is the smallest member of the LPR Plate Hotel family. Two stationary cassettes that can easily be removed are located between the lift mechanism. In addition to the z-axis the lift mechanism has a rotation axis (turn movement) that turns the transport shovel facing one of the two cassettes or facing the transfer-station. The stationary cassettes with the Star concept allowing the periscope the only moving part, reducing vibration and movement of the samples.



Options	
	Order Nr.
Bar Code Reader Option	9118 11 03
Plate Presence Sensor	9121 00 62
Disposal Tips upgrade kit up to 100mm height	9118 12 23
Fast access for time critical applications	9111 10 00
Cover Protection with integrated Door for manual access	9147 00 19
Shaking option, orbital, 1mm Amplitude 600rpm max.	9147 00 16
Shaking option, orbital, 1mm Amplitude 1200rpm max.	9147 00 17
Shaking option, orbital, 3mm Amplitude 600rpm max.	9147 00 35
Shaking option, orbital, 6mm Amplitude 400rpm max.	9147 00 36

Capacity

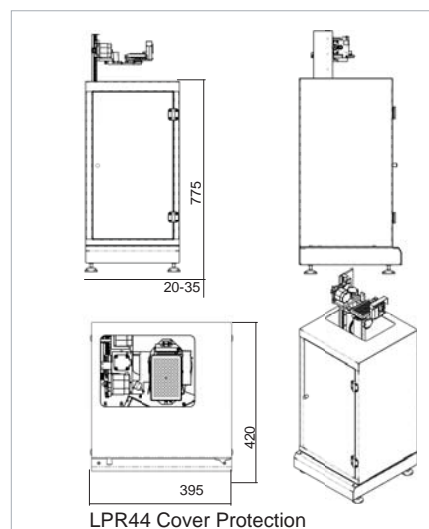
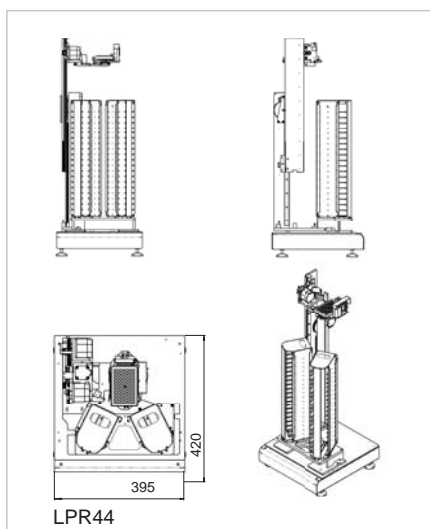
Plate Type	Plate Height	Plate capacity of unit
NTP (Nanotiter Plates)	5 mm	84
	11 mm	56
1536	12 mm	54
	17 mm	44
	22 mm	34
	23 mm	34
	24 mm	34
MTP (Microtiter Plates)	27 mm	30
	44 mm	20
DWP (Deep Well Plates)	53 mm	16
	66 mm	14
DiTi200	66 mm	14
DiTi1000	104 mm	8

The LPR44's 44 MTP capacity makes it perfectly suitable for small scale integration and highly miniaturized applications. The LPR44 compact size makes it ideal for laboratories with room constraints. Various options like shaker, BCR, housings and many accessories like various cassettes and transfer stations are available. For details please refer to www.liconic.com.

Accessories

	Order Nr.
Standard MTP cassette, 22 levels, pitch=23mm	9111 05 00
Deep-well cassette, 10 levels, pitch=50mm	9111 05 42
Custom Size cassette, nn levels, mm pitch (specify plate height)	9118 12 31
MTP cassette, 22 levels, pitch=23mm, all stainless steel	9118 12 26
Deep-well cassette, 10 levels, pitch=50mm, all stainless steel	9118 12 27
Custom Size cassette, nn levels, mm pitch, all stainless steel	9118 12 33
Standard Transfer Station with integrated plate detection sensor	9118 02 75
90 degree turn station, rotates plate from portrait to landscape	9118 00 59
Swap transfer station with plate buffer function	9118 11 00
Slide transfer station for extended transfer reach motor up (170mm)	9111 12 28
Slide transfer station fo extended transfer reach (300mm)	9111 07 81
Custom size slide transfer station (specify transfer reach 270 - 1000mm)	9118 12 30

	Order Nr.
LPR44	9147 00 25



www.liconic.com

Europe & International: Liconic AG, Liechtenstein

UK & Nordic: Liconic UK Ltd, Manchester

US & Asia: Liconic Inc, Woburn MA

22.05.2014

© Liconic AG