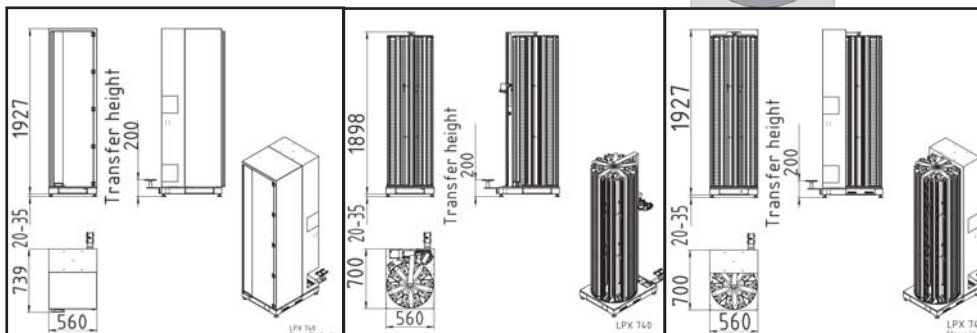
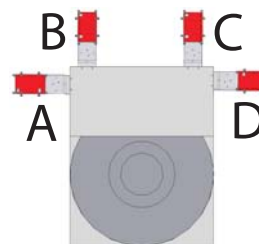


LPX740 LPX Plate Hotel

- Optimised for Large Capacity Applications
- Available in Double Decker Configuration
- Four Different Orientations

LPX740

The LPX740 is optimised for larger capacity applications. The LPX740 offers high capacity while maintaining the same compact footprint as the LPX220. The LPX740 is ideal for high throughput labs with space constraints. In fact, the LPX740 can be integrated in four different orientations. Left, right, back and side access is made possible by one single system.



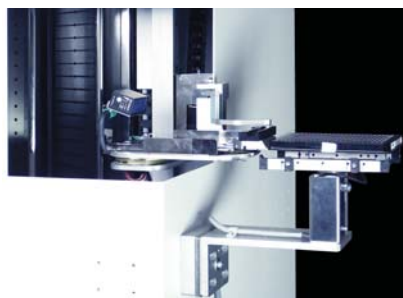
Options

	Order Nr.
Transfer Station Location Case A	9144 00 88
Transfer Station Location Case B	9144 00 89
Transfer Station Location Case D	9144 00 94
Transfer Station Location Case E	9144 00 95
Transfer Station Location Case F	9144 00 96
Transfer Station Location Case G	9144 00 97
Transfer Station Location Case H	9144 00 98
Bar Code Reader option	9122 06 03
Plate Presence Sensor	9121 00 62
Disposal Tips for upgrade kit up to 100 mm height	9118 12 23
Fast access for time critical applications	9122 06 04
Linear Shaker	9144 00 60
Housing	9144 00 57
Cover Protection with integrated Door for manual access	9144 00 58
UCI Universal communication interface	9118 11 17

Capacity

Plate Type	Plate Height	Plate capacity of unit
NTP (Nanotiter Plates)	5 mm	1400
	11 mm	940
1536	12 mm	908
	17 mm	520
MTP (Microtiter Plates)	22 mm	570
	23 mm	570
	24 mm	570
	27 mm	500
DWP (Deep Well Plates)	44 mm	330
	53 mm	270
DiTi200	66 mm	230
DiTi1000	104 mm	130

The newly developed handling with higher speed is used in the LPX740. The LPX740 with 740 MTP capacity makes it perfectly suitable for large integrations. Its compact size and its high capacity makes it also ideal for mixed plates applications. Various options and accessories are available. For details please refer to www.liconic.com.



Accessories

	Order Nr.
Standard MTP cassette, 74 levels, pitch=23mm	9134 07 87
Deep-well cassette, 34 levels, pitch=50mm	9134 08 17
Custom Size cassette, nn levels, mm pitch (specify plate height)	9118 12 31
MTP cassette, 74 levels, pitch=23mm, all stainless steel	9134 08 15
Deep-well cassette, 34 levels, pitch=50mm, all stainless steel	9134 08 16
Custom Size cassette, nn levels, mm pitch, all stainless steel	9118 12 33
Standard Transfer Station with integrated plate detection sensor	9118 02 75
90 degree turn station, rotates plate from portrait to landscape	9118 00 59
Swap transfer station with plate buffer function	9118 11 00
Slide transfer station for extended transfer reach motor up (170mm)	9118 12 28
Slide transfer station for extended transfer reach (300mm)	9111 07 81
Custom size slide transfer station (specify transfer reach 270 - 1000mm)	9118 12 30

LiCONiC
INSTRUMENTS
www.Liconic.com

Europe: Liconic AG, Liechtenstein
Liconic UK Ltd, Manchester
US & International: Liconic Inc, Woburn MA

22.05.2014
© Liconic AG